



Overview

The **ECB-600 Series** are microprocessor-based programmable controllers designed to control various building automation applications such as Air Handling Units, Chillers, Boilers, pumps, Cooling Towers, and central Plant Applications. This series supports up to two ECx modules. These are I/O extension modules that operate off of a separate sub-bus, giving this controller a total of up to 40 universal inputs and 36 universal outputs. This controller uses the BACnet® MS/TP LAN communication protocol and is BTL®-Listed as BACnet Advanced Application Controllers (B-AAC).

This series contains two models as follows: ECB-600 and ECB-610. The ECB-600 series support various input types including resistance, voltage, and digital-based ones. Moreover, it provides digital, floating, pulse width modulation, and proportional control outputs for valves, pumps, heating elements, fan, and lighting applications. In particular, the ECB-610 has the added convenience of supervised Hand-Off-Auto (HOA) switches and potentiometers for manual override of an output.

All controller models work with a wide range of sensors, such as those in the EC-Smart-View series of communicating room sensors that feature a backlit display and graphical menus. These sensors are used for indoor temperature measurement, setpoint adjustment, fan speed selection, and occupancy state override. In addition, all controller models are Open-to-Wireless® ready, and when paired with the Wireless Receiver, they work with a variety of wireless battery-less sensors and switches.

Custom program these controllers using EC-gfxProgram through EC-Net^{AX} Pro which is powered by the Niagara^{AX} Framework®. This allows you to quickly and easily create your own control sequences capable of meeting the most demanding requirements of any engineering specification.

Applications

- Meets the requirements of the following applications:
 - Central Plant
 - Air Handling Units
 - Multi-Zone Applications
 - Chillers
 - Boilers
 - Cooling Towers
 - Roof Top Units
 - Power Measurement
- Improves energy efficiency when combined with:
 - CO₂ sensors as part of a demand-controlled ventilation strategy that adjusts the amount of fresh air intake according to the number of building occupants
 - Variable-frequency drives to adjust motor speed according to the instantaneous demand of the application
- Works with a wide range of wireless battery-less sensors

Features & Benefits

- Use the EC-gfxProgram's state-of-the-art visual programming wizard to create operation sequences that meet specific engineering specifications. EC-gfxProgram is accessible through EC-Net^{AX} Pro which is powered by the Niagara^{AX}-based management platform.
- Accelerate custom programming development by using pre-built HVAC control sequences supplied with EC-gfxProgram.
- Available with an optional Wireless Receiver that supports up to 28 wireless inputs, letting you create wire-free installations and use various wireless battery-less sensors and switches.
- With 16 software configurable universal inputs and 12 software configurable universal outputs, this controller series covers all medium to large-size industry-standard HVAC applications. Four of these inputs also support fast pulse count reading up to 50 Hz frequency for gas, water, and electric meters.
- With up to two extendible I/O modules that operate off of a separate sub-bus, this controller can have a total of up to 40 universal inputs and 36 universal outputs.
- 0-20mA inputs and outputs use an internal jumper that eliminates the need for external resistors.
- Highly accurate universal inputs support thermistors and resistance temperature detectors (RTDs) that range from 0 Ohms to 350 000 Ohms, giving you the freedom of using your preferred or engineer-specified sensors, in addition to any existing ones.
- Supervised HOA switches and potentiometers, allowing you to override control actions for testing purposes or when performing equipment maintenance.
- Rugged hardware Inputs and Outputs eliminate need for external protection components, such as diodes for 12V DC relays.

Product Warranty & Total Quality Commitment

All Distech Controls product lines are built to meet rigorous quality standards and carry a two-year warranty. Distech Controls is an ISO 9001 registered company.

ECB-600 Series Controllers



Model	ECB-600	ECB-610
Points	28-Point Controller	28-Point Controller
Universal hardware inputs	16 ¹	16 ¹
EC-Smart-Vue	12	12
Wireless inputs ²	28	28
15 Vdc Power Supply	■	■
Universal outputs	12	12
HOA switch & potentiometer		■
Number of ECx Modules	2	2
Product Number	CDIB-600X-00	CDIB-610X-00

1 The first four inputs are software configurable for pulse counting up to 50 Hz and are compatible with an SO rated (optically-isolated) output.

2 All controllers are Open-to-Wireless ready. Available when an optional Wireless Receiver is connected to the controller. Some wireless sensors may use more than one wireless input from the controller.

Recommended Applications

Model	ECB-600	ECB-610
Air Handling Units	■	■
Multi-Zone Application	■	■
Chiller	■	■
Boiler	■	■
Cooling Tower	■	■
Central Plant	■	■

BACnet Objects List

BACnet Calendar Objects	2
BACnet Schedule Objects	10
BACnet PID Loop Objects	30
BACnet Input Objects (AI, BI, MSI) ¹	68 ²
BACnet Output Objects (AO, BO) ¹	12 ³
BACnet BV Objects	
- Commandable ¹	20
- Non-Commandable	55
BACnet MSV Objects	
- Commandable ¹	20
- Non-Commandable	55
BACnet AV Objects	
- Commandable ¹	35
- Non-Commandable	115
BACnet Alarm Notification Classes	5

1 Supports object internally-generated alarms (intrinsic reporting) which are dynamically instantiated upon object creation.

2 This consists of Hardware Inputs, EC-Smart-Vue inputs, and Open-To-Wireless inputs. Each ECx-400, ECx-410, or ECx-420 adds 12 input objects.

3 This consists of Hardware Outputs. Each ECx-400 or ECx-410 adds 12 output objects.

ECx-400 Series I/O Extension Modules



Model	ECx-400	ECx-410	ECx-420
Additional Points	24-Point I/O Extension Module	24-Point I/O Extension Module	12-Point I/O Extension Module
Universal hardware inputs	12	12	12
15 Vdc Power Supply	■	■	■
Universal outputs	12	12	0
HOA switch		■	
Product Number	CDIX-400X-00	CDIX-410X-00	CDIX-420X-00

Open-to-Wireless – Wireless Receiver Add-on



To reduce the cost of installation, and minimize the impact on existing partition walls, the Wireless Receiver enables every controller from this series to communicate with a line of wireless battery-less room sensors and switches.



- Wireless Receiver (315) - Receiver for EnOcean® 315MHz wireless-enabled sensors and switches
- Wireless Receiver (868) - Receiver for EnOcean® 868.3MHz wireless-enabled sensors and switches

Note that controllers have one wireless port to support a single Wireless Receiver.

For more information about the EnOcean technology and Open-to-Wireless, refer to the Open-to-Wireless Solution Guide. For more information about the Wireless Receiver module, refer to the [Wireless Receiver Datasheet](#). These documents can be found on our web site at www.distech-controls.com.

Supported Platforms



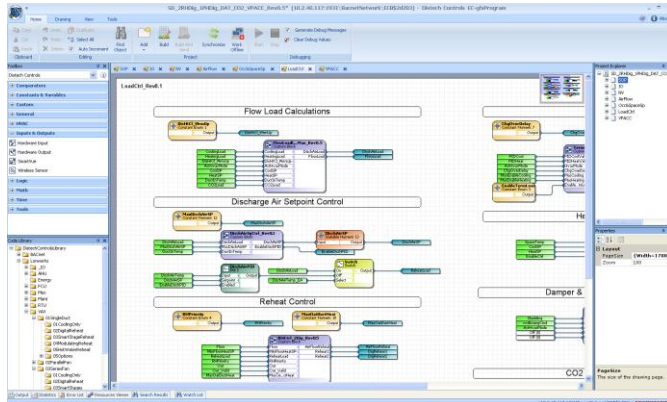
EC-Net^{AX}

EC-Net^{AX} is a web-enabled multi-protocol integration solution powered by the Niagara^{AX} Framework, establishing a fully Internet-enabled, distributed architecture for real-time access, automation and control of devices. EC-Net^{AX}'s open framework creates a common development and management environment for integration of LONWORKS®, BACnet® and other protocols. Regardless of manufacturer and protocol, the EC-Net^{AX} system provides a unified modeling of diverse systems and data, providing one common platform for development, management and enterprise applications.

EC-Net^{AX} Wizards

EC-gfxProgram Graphical Programming Tool

Distech Controls' EC-gfxProgram is a programming tool that allows you to quickly create control sequences by "dragging and dropping" block objects and then linking the objects with a simple "click, select and release". Select objects from an extensive library of over 100 commonly used functions as well as create your own custom blocks. With a user-friendly interface and intuitive programming environment, HVAC programming could not be easier. Refer to the EC-gfxProgram datasheet for more information.

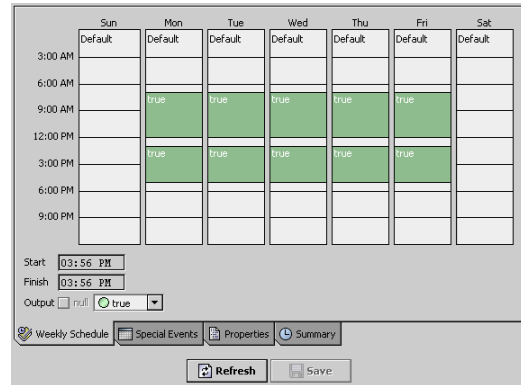


EC-gfxProgram Software Features:

- Program both ECP Series LonWorks and ECB Series BACnet controllers with the same tool
- Supplied as freeware – there are no associated licensing costs
- Block-oriented programming
- Live debugging allows user to view code execution, input/output values and to detect errors in real-time
- Furnished with *gfxApplications*: A library of standard pre-coded and tested HVAC sequences that suit most field applications while allowing you to make your own modifications if necessary.
- Extensive block library of the most commonly used functions divided into 11 convenient categories containing over 100 block objects
- A code library for managing your favorite or most commonly used code or code sections
- Backup / Restore function stores the complete code in the controller allowing the retrieval of all programming code features
- The following advanced features are available with the ECB Series and controllers:
 - Advanced mathematical functions such as sin, cosine, power, exponential, logarithm, and so on
 - For loop can be used to find highest, lowest, and average values

Scheduling Tool

Schedules and holidays are configured through the EC-NET^{AX} schedule configuration. It features a weekly schedule for regular, repeating, events by "time-of-day" and "day-of-week", while a holiday schedule is available to define events for specific days.



Scheduling Wizard Features

- Easily configure schedules using a graphical slider
- Allows you to easily copy and paste entries
- Duplicate a schedule entry for Monday to Friday
- Special events allow you to set exceptions such as holidays to a schedule
- Holidays can be set for recurring events such as the 9th day, or the 3rd Thursday of a given month
- A schedule has an effective period during which it is active
- Schedule provides Next State and Time to Next State that are ideal for use with programming functions such as Optimum Start or morning Warm Up.

Complementary Products

Temperature Sensors

Allure EC-Smart-Vue

Line of communicating sensors with backlight display and graphical menus. This sensor is used to set the controller's network address.



EC-Smart-Vue	Communicating room temperature sensor with backlight display and graphic menus
EC-Smart-Vue-H	Communicating room temperature and humidity sensor with backlight display and graphic menus

Allure EC-Sensor

Line of discrete sensors



EC-Sensor	Room temperature sensor with communication jack
EC-Sensor-O	Room temperature sensor with occupancy override button and communication jack
EC-Sensor-S	Room temperature sensor with setpoint adjustment and communication jack
EC-Sensor-SO	Room temperature sensor with setpoint adjustment, occupancy override button, and communication jack
EC-Sensor-SOF	Room temperature sensor with setpoint adjustment, occupancy override button, fan speed selection, and communication jack

Open-to-Wireless Sensors and Switches (requires Wireless Receiver)

Allure Wireless Battery-less ECW-Sensor

Line of wireless, battery-less sensors. Available in EnOcean 315MHz and 868.3MHz versions.



ECW-Sensor	Room temperature sensor
ECW-Sensor-O	Room temperature sensor with occupancy override button
ECW-Sensor-S	Room temperature sensor with setpoint adjustment
ECW-Sensor-SO	Room temperature sensor with setpoint adjustment and occupancy override button
ECW-Sensor-SOF	Room temperature sensor with setpoint adjustment, occupancy override button, and fan speed selection

Wireless Sensors and Switches



SR-MDS	Wireless solar-cell powered motion detector and light sensor for room occupancy detection and/or lighting applications. Available in EnOcean 315MHz and 868.3MHz versions.
--------	--



2-channel Light Switch 4-channel Light Switch	2-/4-channel wireless light switches (European models). Available in EnOcean 315MHz and 868.3MHz versions.
--	--



PTM265 PTM265D	2-/4-channel wireless light switches (North American models). Available in EnOcean 315MHz and 868.3MHz versions.
-------------------	--



SR65	Wireless, solar-cell powered outdoor temperature sensor. Available in EnOcean 315MHz and 868.3MHz versions.
------	---



SR65 VFG	Wireless, solar-cell powered surface temperature contact sensor. Available in EnOcean 315MHz and 868.3MHz versions.
----------	---



SR65 AKF Series	Wireless, solar-cell powered duct temperature sensor. Available in EnOcean 315MHz and 868.3MHz versions.
-----------------	--

For more information about the available wireless sensors and switches, refer to the Open-to-Wireless Solution Guide which can be found on our web site at www.distech-controls.com.

Other



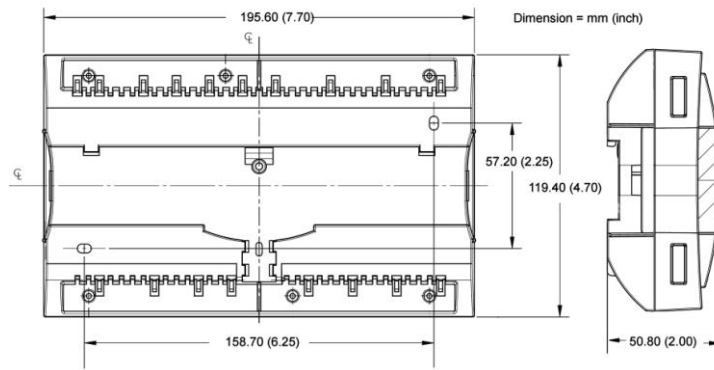
F15A-12DC-S	12VDC relay used to make a digital command from a universal output. 12VDC coil; consumption < 20mA. Dry contact NO/NC; maximum 8A @ 250VAC.
-------------	---



ZMEP/3	Base for 12VDC relay. SPDT relay with din-rail mountable socket base.
--------	---

For more information on these or other Distech Controls products please refer to our web site at www.distech-controls.com or contact sales@distech-controls.com.

ECB-600 Series Controller Dimensions



ECB-600 Series Product Specifications

Power

Voltage	24VAC/DC; $\pm 15\%$; 50/60Hz; Class 2
Protection	3.0A user-replaceable fuse
Power Consumption	22 VA typical plus all external loads 65 VA maximum

Interoperability

Communication Bus	BACnet MS/TP
BACnet Profile	B-AAC ¹ B-AAC (pending)
EOL Resistor	Built-in, jumper selectable
Baud Rates	9600, 19 200, 38 400, or 76 800 bps
Addressing	Dip Switch

Hardware

Processor	STM32 (ARM Cortex™ M3) MCU, 32 bit
CPU Speed	72 MHz
Memory	1 MB Non-volatile Flash (applications) 2 MB Non-volatile Flash (storage) 96 kB RAM
Status Indicator	Green LEDs: Power Status & LAN Tx Orange LEDs: Controller Status & LAN Rx
Communication Jack	BACnet 1/8" (3.5mm) stereo audio jack

Environmental

Operating Temperature	0°C to 50°C; 32°F to 122°F
Storage Temperature	-20°C to 50°C; -4°F to 122°F
Relative Humidity	0 to 90% Non-condensing

Enclosure

Material	FR/ABS
Color	Black & blue casing & grey connectors
Dimensions (with Screws)	7.7" x 4.7" x 2.0" (195.6mm x 119.4mm x 50.8mm)
Shipping Weight	1.17lbs (0.53kg)

Inputs

Input Types	Universal; software configurable
-Voltage	- 0 to 10VDC (40k Ω input impedance) - 0 to 5VDC (high input impedance)
-Current	0 to 20mA with 249 Ω jumper configurable internal resistor
-Digital	Dry contact
-Pulse	UI1 to UI4: 50Hz maximum; Min 10ms On/10ms Off - SO output compatible UI5 to UI16: 1Hz maximum; Min 500ms On/500ms Off - Dry contact
-Resistor	0 to 350 K Ω . All thermistor types that operate in this range are supported. The following temperature sensors are pre-configured: <i>Thermistor</i> 10K Ω Type 2, 3 (10K Ω @ 25°C; 77°F) <i>Platinum</i> Pt1000 (1K Ω @ 0°C; 32°F) <i>Nickel</i> RTD Ni1000 (1K Ω @ 0°C; 32°F) RTD Ni1000 (1K Ω @ 21°C; 69.8°F)
Input Resolution	16-bit analog / digital converter
Power Supply Output	15VDC; maximum 320mA (16 inputs x 20mA each)

Outputs

Universal	0-10VDC linear, digital 0-12VDC (on/off), floating PWM, or 0-20mA (jumper configurable); software configurable. Built-in snubbing diode to protect against back EMF, for example when used with a 12VDC relay. - PWM control: adjustable period from 2 to 65sec. - Floating control: - Min pulse on/off: 500msec. - Adjustable drive time period - HOA: Hand-Off-Auto switch (when equipped) - Hand position potentiometer range: 0-12.5VDC - 60mA max. @ 12VDC (60°C; 140°F) - Minimum 200 Ω for 0-10VDC and 0-12VDC outputs - Maximum 500 Ω for 0-20mA output - 60mA @ 60°C; 140°F - 100mA @ 20°C; 68°F
Load resistance	- Minimum 200 Ω for 0-10VDC and 0-12VDC outputs - Maximum 500 Ω for 0-20mA output
Auto-reset fuse	- 60mA @ 60°C; 140°F - 100mA @ 20°C; 68°F
Output Resolution	10-bit digital / analog converter

ECB-600 Series Product Specifications (continued)

Wireless Receiver²

Communication	EnOcean wireless standard
Number of wireless inputs ³	28
Supported Wireless Receivers	Wireless Receiver (315) Wireless Receiver (868)
Cable	Telephone cord
- Connector	4P4C modular jack
- Length (maximum)	6.5ft; 2m

Electromagnetic Compatibility

CE -Emission	EN61000-6-3: 2007; Generic standards for residential, commercial and light-industrial environments
-Immunity	EN61000-6-1: 2007; Generic standards for residential, commercial and light-industrial environments
FCC	This device complies with FCC rules part 15, subpart B, class B



EC-Smart-Vue

Communication	RS-485
Number of sensors per controller	Up to 12, in daisy-chain configuration
Cable	Cat 5e, 8 conductor twisted pair
Connector	RJ-45

Extension Modules (ECx Series)

Communication	RS-485
Number of extension module per controller	Up to 2, in daisy-chain configuration

Agency Approvals



UL Listed (CDN & US) Material ⁴	UL916 Energy management equipment UL94-5VA
--	---



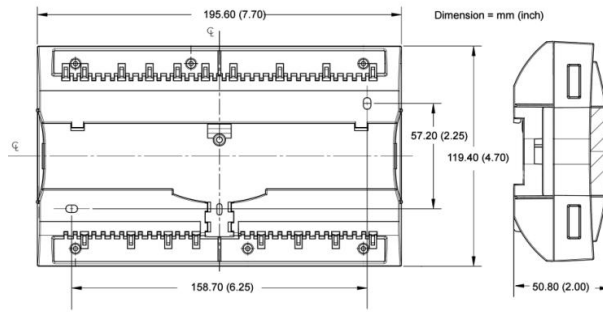
Communication Protocols



enocean®

- 1 Refer to Distech Controls' Protocol Implementation Conformity Statement for BACnet.
- 2 Available when an optional external Wireless Receiver module is connected to the controller. Refer to the Open-to-Wireless Solution Guide for a list of supported EnOcean wireless modules.
- 3 Some wireless modules may use more than one wireless input from the controller.
- 4 All materials and manufacturing processes comply with the RoHS directive  and are marked according to the Waste Electrical and Electronic Equipment (WEEE) directive .

ECx-400 Series Extendible I/O Module Dimensions



ECx-400 Series Extendible I/O Module Specifications

Power

Voltage	24VAC/DC; $\pm 15\%$; 50/60Hz; Class 2
Protection	3.0A user-replaceable fuse
Power Consumption;	22 VA typical plus all output loads
ECx-400/ECx-410	50 VA maximum
Power Consumption;	10 VA typical
ECx-420	16 VA maximum

Communication

Communication Bus	RS-485
Baud Rate	38 400 bps
Addressing	Dip Switch

Hardware

Processor	STM32 (ARM Cortex™ M3) MCU, 32 bit; 64 MHz
Memory	64 kB Non-volatile Flash (applications and storage) 20 kB RAM
Status Indicator	Green LEDs: Power Status & LAN Tx Orange LEDs: Module Status & LAN Rx

Environmental

Operating Temperature	0°C to 50°C; 32°F to 122°F
Storage Temperature	-20°C to 50°C; -4°F to 122°F
Relative Humidity	0 to 90% Non-condensing

Enclosure

Material	FR/ABS
Color	Black & blue casing & grey connectors
Dimensions (with Screws)	7.7" x 4.7" x 2.0" (195.6mm x 119.4mm x 50.8mm)
Shipping Weight	1.17lbs (0.53kg)

Electromagnetic Compatibility



CE -Emission	EN61000-6-3: 2007; Generic standards for residential, commercial and light-industrial environments
-Immunity	EN61000-6-1: 2007; Generic standards for residential, commercial and light-industrial environments
FCC	This device complies with FCC rules part 15, subpart B, class B



Agency Approvals

UL Listed (CDN & US)	UL916 Energy management equipment
Material ⁵	UL94-5VA



5 All materials and manufacturing processes comply with the RoHS directive  and are marked according to the Waste Electrical and Electronic Equipment (WEEE) directive .

Inputs

Input Types	Universal; software configurable
-Voltage	- 0 to 10VDC (40k Ω input impedance) - 0 to 5VDC (high input impedance)
-Current	0 to 20mA with 249 Ω jumper configurable internal resistor
-Digital	Dry contact
-Pulse	1Hz maximum, 500ms On/500ms Off - Dry contact
-Resistor	0 to 350 K Ω . All thermistor types that operate in this range are supported. The following temperature sensors are pre-configured:
<i>Thermistor</i>	10K Ω Type 2, 3 (10K Ω @ 25°C; 77°F)
<i>Platinum</i>	Pt1000 (1K Ω @ 0°C; 32°F)
<i>Nickel</i>	RTD Ni1000 (1K Ω @ 0°C; 32°F) RTD Ni1000 (1K Ω @ 21°C; 69.8°F)
Input Resolution	16-bit analog / digital converter
Power Supply Output	15VDC; maximum 240mA (12 inputs x 20mA each)

Outputs

Universal	0-10VDC linear, digital 0-12VDC (on/off), floating PWM, or 0-20mA (jumper configurable); software configurable. Built-in snubbing diode to protect against back EMF, for example when used with a 12VDC relay.
	- PWM control: adjustable period from 2 to 65sec.
	- Floating control:
	- Min pulse on/off: 500msec.
	- Adjustable drive time period
	- HOA: Hand-Off-Auto switch (when equipped)
	- Hand position potentiometer range: 0-12.5VDC
	- 60mA max. @ 12VDC (60°C; 140°F)
Load resistance	- Minimum 200 Ω for 0-10VDC and 0-12VDC outputs
	- Maximum 500 Ω for 0-20mA output
Auto-reset fuse	- 60mA @ 60°C; 140°F
	- 100mA @ 20°C; 68°F
Output Resolution	10-bit digital / analog converter

Specifications subject to change without notice.

Distech Controls, the Distech Controls logo, and Open-To-Wireless are trademarks of Distech Controls Inc.; LONWORKS is a registered trademark of Echelon Corporation; Niagara^{AX} Framework is a registered trademark of Tridium, Inc.; ARM Cortex is a registered trademark of ARM Limited; BACnet is a registered trademark of ASHRAE; BTL is a registered trademark of the BACnet Manufacturers Association; Windows, Visual Basic.Net are registered trademarks of Microsoft Corporation. EnOcean is a registered trademark of EnOcean GmbH. All other trademarks are property of their respective owners.



05DI-DSEB600-12

ECB-600 & ECx-400 Series

www.distech-controls.com