


EC-Display

EasyControls™ LCD Display with Scheduler

- Read / write support for up to 250 points
- 16 independent schedules
- Integrated Real-Time Clock

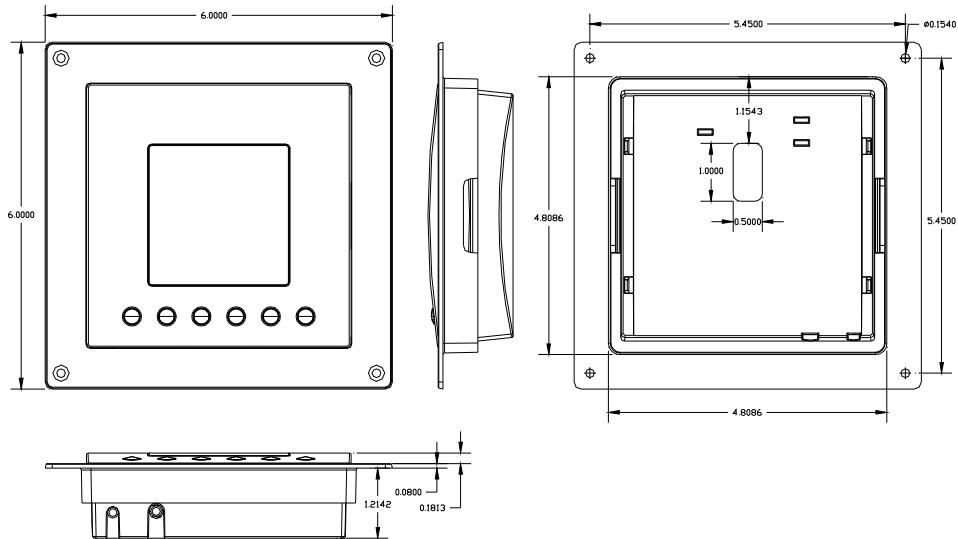


<p>Applications</p> <ul style="list-style-type: none"> - Manage systems without a supervising station - Quick and convenient access when a computer is far or out of reach - Monitor or modify states and set points for any variable in a LONWORKS® network - Supports up to 16 independent schedules 	 <p>Based on the LONTALK® open network protocol, the EasyControls™ EC-Display is a multi-function LCD display equipped with a 3150® Neuron® processor. Unique in our industry, it can display and interface with up to 250 network variables, while most other displays are limited to only 64 variables.</p> <p>The EC-Display can be used with the Distech Controls EasyControls system as a human-to-machine-interface. However, being fully interoperable, it can also operate with any LONMARK® compliant device, using SNVTs or UNVTs.</p> <p>The EC-Display can be configured through any LNS based software such as Distech Controls LonWatcher, or by using a multi-protocol platform software, such as the EC-Net Pro software within the Niagara Framework. Furthermore, an easy-to-use Distech Controls LNS plug-in, or a Niagara Framework EC-Net wizard, are available to configure the features of the EC-Display, which allows grouping of up to 5 points (variables) per group, with a maximum of 50 groups. The group and variable names are customizable with up to 13 and 16 characters respectively.</p> <p>The EC-Display is the perfect interface for any sized system, where a PC front end is not always required. It is also ideal for large and complex systems where a manual interface is desired for a faster and more convenient access. It is truly a “window” into your LONWORKS system.</p> <p>The EasyControls product line is built to meet rigorous quality standards and carries a two-year warranty. The complete line of EasyControls controllers is designed for use with any LNS based and/or any other open and interoperable system – such as EC-Net. This provides both the contractor and the end user with the flexibility of using “best of breed” products in system design.</p>
<p>Features</p> <p>Interoperability</p> <ul style="list-style-type: none"> - Based on LONWORKS® technology for peer-to-peer communication between controllers <p>Hardware</p> <ul style="list-style-type: none"> - Backlit LCD display with a 128 X 128 pixel screen - Changeable logo (wallpaper) - Configurable through an easy-to-use LNS® plug-in - Simple to use 6-button interface for navigation and data entry - Battery backup for clock with 15 year lifespan - Can be mounted on a wall or within a panel - Available in “flush mount” and “Din rail” casings - Built-in input for 1/8” communication jack (3.5mm) 	
<p>Display object</p> <ul style="list-style-type: none"> - Supports imperial or metric units - Read / write support for up to 250 points (SNVT, UNVT, Free Programmable points) - Regroup displayed points into a maximum of 50 groups - Acts as a node and can be plugged-in anywhere on a LONWORKS network - Supports enumeration text format (0/1 point status display ON/OFF or XXX/YYY) - Assign passwords to users (full access or view only) - Auto log-off feature 	
<p>16 Scheduler objects</p> <ul style="list-style-type: none"> - Schedules are configured through an LNS plug-in. Each object contains one schedule - All schedules are stored in on-board Flash memory - Schedule network variables are of changeable type and length - Seven weekday templates per scheduler - Six configurable events per day, per schedule - Four holiday templates per schedule - Schedules can be edited locally on device 	
<p>Real-time clock object</p> <ul style="list-style-type: none"> - Allows configuration of daylight saving time - Accurate timekeeping for controller applications 	

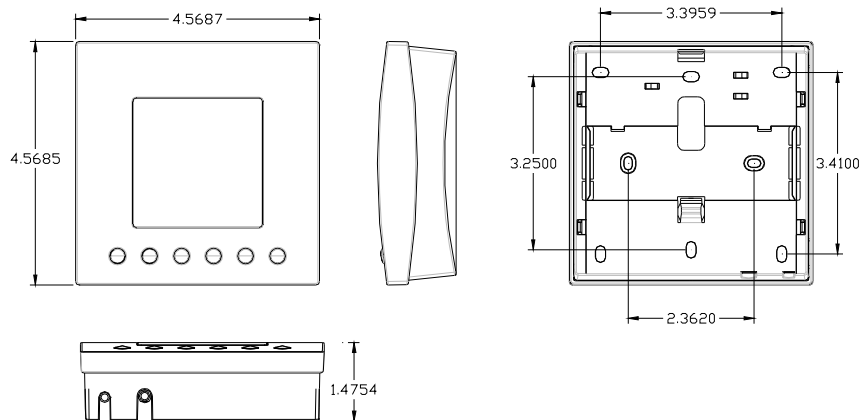
Product Specifications

The EC-Display is offered in two different casing; flush mount and surface mount.

Flush Mount Casing (FMT model)



Surface Mount Casing (SMT model)

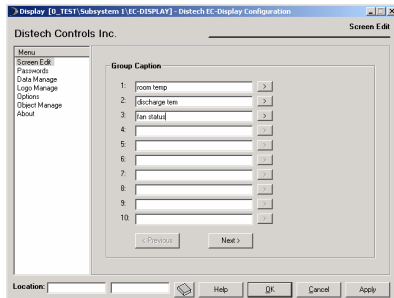


Product Specifications

Power		LCD Display	
Voltage	24VAC/DC; ±15%, 50/60HZ, Class 2	Type	Backlit
Protection	500 mA auto-reset fuse	Definition	128 x 128 pixels
Consumption	8 VA	Display Area	2.1" x 2.1" (550 x 550mm)
		Screen Saver	Customizable
Environmental		Agency Approvals	
Operating Temperature	0°C to 70°C, 32°F to 158°F	CE	EN55022: 1998 class B EN61000-4-2: 1995 level3 in air, level 2 by contact EN61000-4-3: 1996, level 2
Storage Temperature	-20°C to 70°C, -4°F to 158°F		EN50204: 1995, level 2 EN61000-4-4: 1995, level 2 EN61000-4-6: 1996, level 2
Relative Humidity	0 to 90% Non-condensing		Listed 6EA7
General		UL listed	Energy management equipment This device complies with FCC rules part 15, subpart B, class B
Processor	Neuron® 3150®; 8 bits; 10MHZ		
Memory	Non-volatile Flash 64K (APB application) Non-volatile Flash 64K (storage)		
Communication	LonTalk® protocol		
Transceiver	TP/FT-10; 78 Kbps		
Status Indicator	Green LEDs on outputs		
Communication jack input	1/8" (3.5mm)		
Enclosure			
Material	ABS Resin		
Color	Off white		
Dimension (FMT)	6" x 6" x 1.48" (151 x 151 x 38mm)		
Dimension (SMT)	4.57" x 4.57" x 1.48" (116 x 116 x 38mm)		
Shipping Weight (FMT)	0.88 lbs (0.40 kg)		

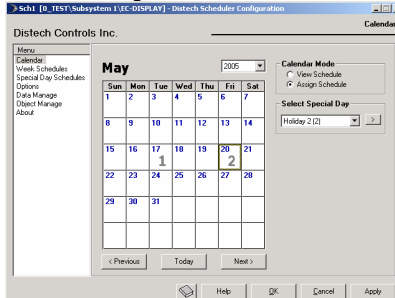
Software Preview

LNS Configuration Plug-in*



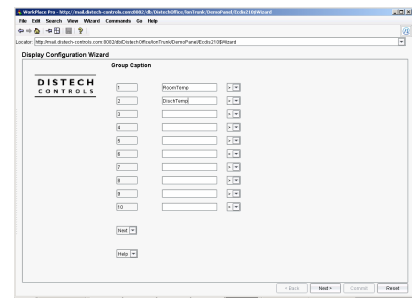
Easily configure all network variables and labels that will be displayed on the EC-Display. This plug-in allows you to select the logo that will appear on the display and also help's you manage user names and passwords to restrict the access to your building information.

LNS Scheduler and Real-time Clock Plug-in*



This plug-in allows you to easily configure a weekly-based schedule and a special day schedule for holidays. Easily add and remove the special day event into the calendar by a simple click. Manage real-time clock and daylight saving time for use with any device on the network.

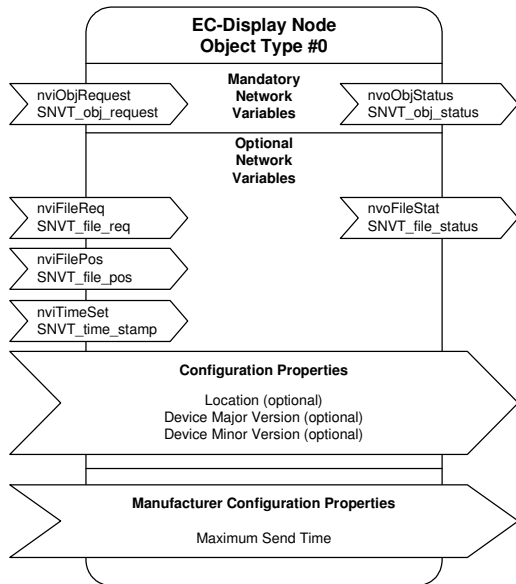
EC-Net Wizard for Niagara Framework



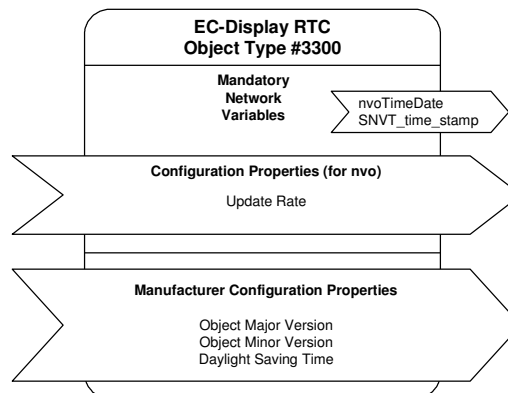
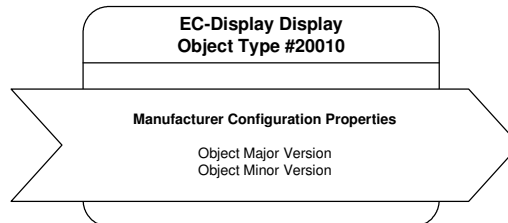
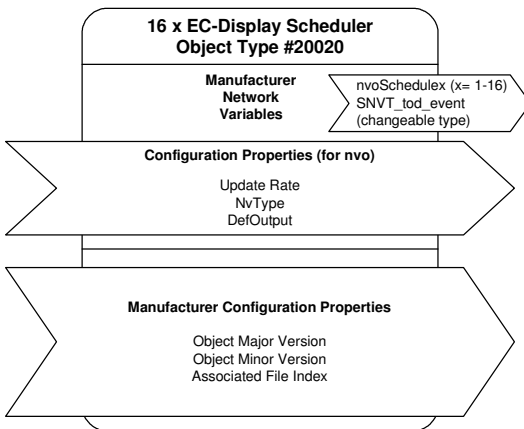
Designed for use with the Niagara Framework, the EC-Net wizard offers all the same features accessible within the LNS plug-in. Simply add pre-defined shadow objects into your database and immediately launch the wizard with a couple clicks of the mouse!

* LNS Plug-ins can be used with any LNS based network management and GUI tools, such as Distech Controls' LonWatcher or LonDisplay.

LONMARK® Objects & Network Variables



16 Schedules



Specifications subject to change without notice. EasyControls, Distech Controls logos are trademarks of Distech Controls, Inc.; LONWORKS, LONMARK, LonTalk, LNS and LON are registered trademarks of Echelon Corporation; Niagara Framework is a trademark of Tridium, Inc.



05DI-DSDISPL-20

EC-DISPLAY

Distech Controls, Inc

Tel. Toll-free North America: 1-800-404-0043

Tel. International: 1-450-444-9898

<http://www.distech-controls.com>

sales@distech-controls.com