



### Overview

The **EC-Smart-Vue** is designed to interface with Distech Controls' ECB and ECL Series of controllers. This line of sensors consists of two models that provide precision local temperature sensing, information display of system status, and a variety of control functions that can be accessed by room occupants.

Through its user-friendly interface, occupants can view and adjust environmental settings to their liking, for example, view the space temperature, adjust the setpoint, and apply occupancy overrides. In addition to this, the EC-Smart-Vue-H can measure the room's humidity level.

With the EC-gfxProgram programming tool, you can create your own tailor-made display control features that make full use of all EC-Smart-Vue's capabilities. For example, you can program the display to give users feedback on their setpoint selection with the ECO-Vue icon that shows more leaves for a setting that not only cares for the environment, but one that also reduces operating costs. A five-character alphanumeric display is available for showing messages.

A fully configurable password protected technician mode allows an installer to perform commissioning and troubleshooting. For example, when an EC-Smart-Vue is connected to an ECB-VAV controller, it can be used to set the controller's BACnet® MAC address during commissioning. Moreover, when connected to an ECB-VAV series controller with its pre-loaded application, commissioning can start immediately after installation. The EC-Smart-Vue can be used as a hand-held tool to select the appropriate controller application for the type of HVAC equipment to be controlled, to perform air balancing of the system without requiring an onsite controls engineer, and to troubleshoot the system.

Mounting hardware with a separate sub-base is provided with the device for installation on dry wall or on an electrical junction box. Electrical connection is made through standard Cat5e structured cabling.

### Applications

The EC-Smart-Vue provides precise environmental zone control for temperature and humidity with the following controller applications:

- VAV controllers
- Fan coil units
- Roof top units
- Heat pumps
- Unit ventilators



The EC-Smart-Vue can be used as a classic wall-mounted sensor or as a hand-held tool to:

- Set controller's MAC address
- Perform VAV air flow balancing
- Configure controller's applications
- Commission system

### Features & Benefits

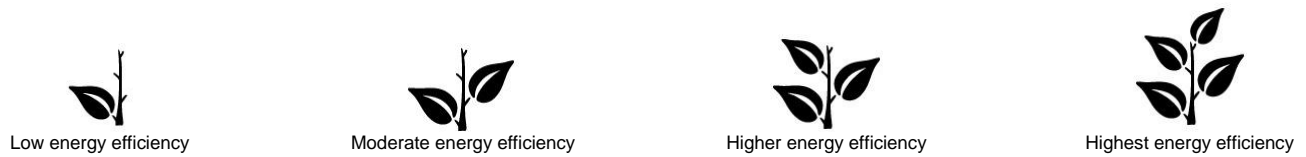
- Encourage occupants to have greener habits with the ECO-Vue icon while saving energy costs.
- Commission VAV controllers immediately after installation by selecting the built-in controller application and performing system air balancing with the EC-Smart-Vue allowing you to get the HVAC system up and running right away.
- Slim, compact style and clean lines are well received by architects and building owners.
- Convenient local area network access jack provides a direct connection to the controller's network for advanced commissioning and troubleshooting without having to remove the cover.
- For people working outside of core hours, an occupancy control extends normal system operating hours for continued comfort while saving energy when possible.
- Occupants can override the HVAC mode, view and adjust the setpoint and Fan speed for improved personal comfort.
- Clear and bright LCD display provides real-time access to temperature and other system information such as setpoint, occupancy status, HVAC mode, etc.
- Both power and communications pass through a single CAT5e cable for reduced installation costs and for easier installation or system retrofit.
- Supports various mounting scenarios: Install the EC-Smart-Vue directly on dry wall or on a North American, European, or Asian style junction box.

## EC-Smart-Vue Model Selection Table


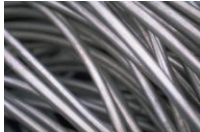

		
Model	<b>EC-Smart-Vue</b>	<b>EC-Smart-Vue-H</b>
Temperature	■	■
Humidity		■
Product Number	PDITE-SMRTVUE-00	PDITE-SMRT-VUH-00

### ECO-Vue Icon

Distech Controls recognizes that the human factor must be considered when designing a building for energy efficiency. To encourage occupants to be as green as possible, the EC-Smart-Vue has an ECO-Vue icon that can be programmed to show more leaves when the occupant chooses a setpoint that reduces energy use. This helps to promote awareness for energy consciousness and to save operational costs.

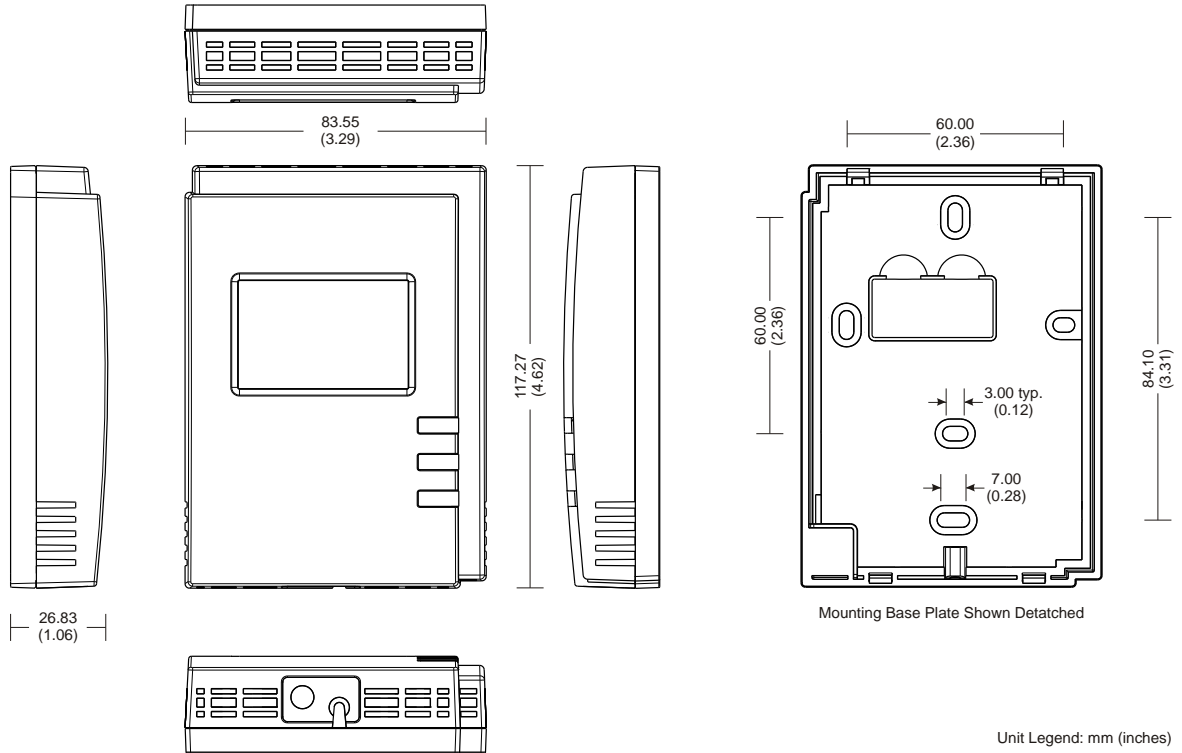


### Related Products

	07CBL-PATCHCORD30-FT4	9m (30 ft) patch cord with protective boot and dust cap – For use in conduit.
	07CBL-PATCHCORD50-FT4	15m (50 ft) patch cord with protective boot and dust cap – For use in conduit.
	07CBL-PATCHCORD75-FT4	22m (75 ft) patch cord with protective boot and dust cap – For use in conduit.
	07CBL-PATCHCORD100-FT4	30m (100 ft) patch cord with protective boot and dust cap- For use in conduit.
	07CBL-PATCHCORD30-FT6	9m (30 ft) patch cord with protective boot and dust cap – For plenum applications.
	07CBL-PATCHCORD50-FT6	15m (50 ft) patch cord with protective boot and dust cap – For plenum applications.
	07CBL-PATCHCORD75-FT6	22m (75 ft) patch cord with protective boot and dust cap – For plenum applications.
	07CBL-PATCHCORD100-FT6	30m (100 ft) patch cord with protective boot and dust cap- For plenum applications.
	07CBL-W244P-1446WHTB	305 meters (1000 feet), Cat 5e Cable – Without Connectors. For use in conduit.
	07CBL-W224P-2176WHTB	305 meters (1000 feet), Cat 5e Cable – Without Connectors. For plenum applications.
	07CBL-PATCHCONNECTOR	100 Crimp RJ-45 Connectors

For more information on these or other Distech Controls products please refer to our web site at [www.distech-controls.com](http://www.distech-controls.com) or contact [sales@distech-controls.com](mailto:sales@distech-controls.com).

## Product Specifications



### General

Voltage	16Vdc maximum, Class 2
Power	400mW typical

### LCD Display:

Type	1.85" X 1.18" (47 mm X 30 mm) with backlight
Symbols	Language-independent icons for mode and operating status
Temperature resolution	±0.1°C; ±0.1°F

### Environmental

Operating Temperature	5°C to 40°C; 41°F to 104°F
Storage Temperature	-20°C to 50°C; -4°F to 122°F
Relative Humidity	0 to 95% Non-condensing

### Enclosure

Material	ABS type PA-765A
Color	White
Dimensions (overall)	3.29" x 4.62" x 1.06" (83.55mm x 117.27mm x 26.83mm)
Shipping Weight	0.4 lbs (0.18 kg)
Installation	Wall mounting through mounting holes (see hardware installation guide for hole positions)

### Agency Approvals

UL Listed (CDN & US)	UL916 Energy management equipment
Material <sup>1</sup>	UL94V-1



1. All materials and manufacturing processes comply with the RoHS directive  and are marked according to the Waste Electrical and Electronic Equipment (WEEE) directive .

### Temperature Sensor

Types	10KΩ NTC Thermistor
Range	5°C to 40°C; 41°F to 104°F
Accuracy	±0.5°C; ±0.9°F
Resolution	0.1°C; 0.18°F

### Humidity Sensor

Accuracy	±3%
Resolution	1%

### Communications

Rate	38 400 bps
Communications	RS-485
Wiring	Cable length: 200m (650ft) maximum
Cable Type	T568B Cat 5e network cable, 4 twisted pairs
Connectors	IN: RJ-45 OUT: RJ-45 (pass-through for daisy chain connection) Network Access Jack: 3.5mm (1/8") stereo plug connector
Daisy-chaining	Ranging from 4 to 12 EC-Smart-Vue sensors depending on the controller model – See the controller's datasheet.

### Electromagnetic Compatibility (Directive 2004/108/EC)

CE:	EN 61000-6-3:2007 EN 61000-6-1:2007
FCC	Part 15, subpart B class B



## Product Warranty & Total Quality Commitment

All Distech Controls product lines are built to meet rigorous quality standards and carry a two-year warranty. Distech Controls is an ISO 9001 registered company.

**Specifications subject to change without notice.**

ECO-Vue, Distech Controls, and the Distech Controls logo are trademarks of Distech Controls Inc.; LONWORKS and LONMARK are registered trademarks of Echelon Corporation; NiagaraAX Framework is a registered trademark of Tridium, Inc.; BACnet is a registered trademark of ASHRAE; EnOcean is a registered trademark of EnOcean GmbH. All other trademarks are property of their respective owners.



05DI-DSSVUEX-14

EC-Smart-Vue

www.distech-controls.com